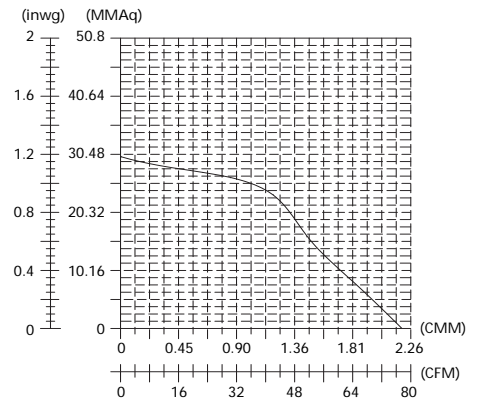


Dayton® PSC and Shaded Pole Blowers

Description

Dayton PSC and Shaded Pole blowers provide economical air delivery for general heating, cooling, ventilating, or component cooling. Typical applications include cooling greenhouses, blowers for wood and corn stoves, ventilating small buildings, cooling electrical enclosures and removing heat from machinery. The blowers are exact replacements for many OEM blowers with the same physical footprint. Forward curve wheels driven by Dayton motors are rated for continuous duty with all-position mount. These units incorporate balanced ball or sleeve-bearing motors with cast aluminum end shields. This provides greater heat dissipation and protection, reducing down time due to component failure and accidental damage. Direct drive blower wheels are dynamically balanced to reduce noise and vibration and to maintain CFM at higher static pressures.

60HZ



Specifications

Reference Number	CFM @0"	0.1"	0.2"	0.3"	0.4"	0.5"	0.6"	0.7"	0.8"	VOLTS	AMPS	HZ
1TDP3*	75	71	68	66	61	56	52	50	46	115	0.45	60

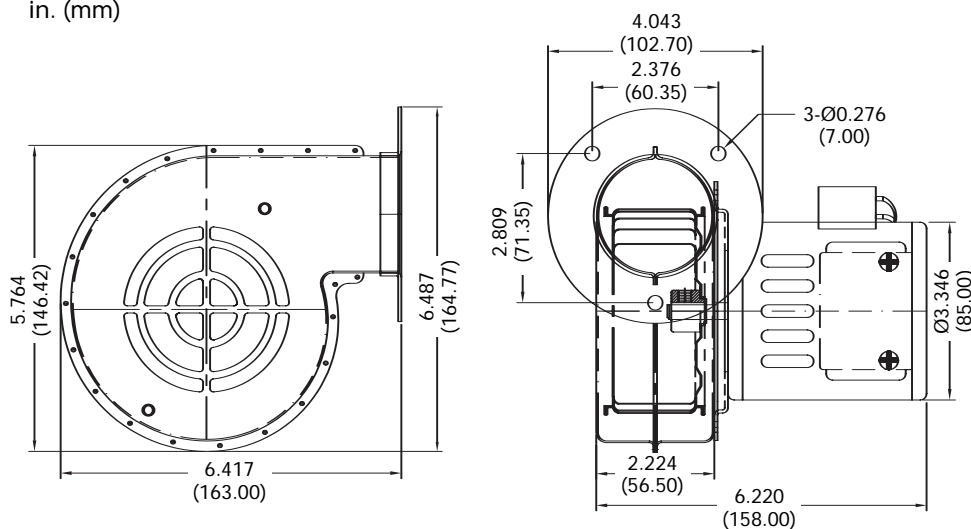
* Replaces 4C443

NOTE: Includes Conduit Box. Lead Length is 13".

NOTE: Not suitable for use with speed-controllable devices.

Dimensions

in. (mm)



Features

- PSC motor
- Baked enamel Gray finish
- Heavy gauge steel housing
- All position Mounting
- Maximum Ambient Temperature 104°F
- Suitable for 50Hz operation

Additional Benefits

- Permanently Lubricated Ball-Bearings
- Auto-Thermal Protection

Motor Component Recognition  E47479



Dayton[®] PSC and Shaded Pole Blowers

DISCLAIMER. Dayton has made a diligent effort to provide product information and illustrate the products in this literature accurately; however, such information and illustrations are for the sole purpose of identification, and do not express or imply a warranty that the products are MERCHANTABLE, or FIT FOR A PARTICULAR PURPOSE, or that the products will necessarily conform to the illustrations or descriptions.

PRODUCT SUITABILITY. Many jurisdictions and localities have codes and regulations governing sales, construction, installation, and/or use of products for certain purposes, which may vary from those in neighboring areas. While Dayton attempts to assure that its products comply with such codes, it cannot guarantee compliance, and cannot be responsible for how the product is installed or used. Before purchase and use of a product, review the product applications, and all applicable national and local codes and regulations, and be sure that the product, installation, and use will comply with them.

Mark:	Submitted By:
Project:	Date:
Location:	

Notes

